

HS115

Installation and Operating Manual

INTRODUCTION AND GENERAL DESCRIPTION

The HS115 is an Automatic Metering System for the application of Heatsavr™, the liquid pool cover. It is a reliable, accurate, inexpensive way to ensure that your pool receives all the energy savings possible from using Heatsavr™.

The HS115 is a time-activated water-resistant peristaltic pump for industrial applications. Up to 24 events may be programmed with variable run times for each event from one second to 20 minutes. The HS115 operates a 7-day clock in which events can be programmed to occur every day or only on particular days throughout the week. A backup battery keeps the clock running in the event of an interruption in the electrical power. The Automatic Metering System is sold complete with a pump tube installed and additional accessories included. The HS115 is available for use with 115VAC, 230VAC or with a D-cell battery pack.

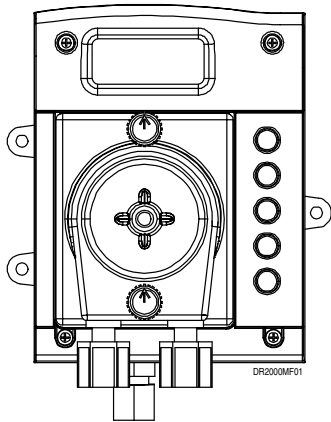


Figure 1a. HS115

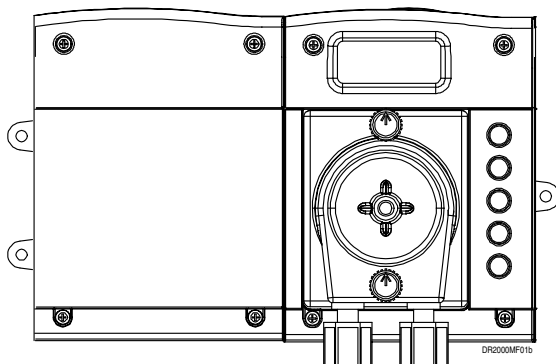


Figure 1b. HS115D-Cell Battery Unit

The manufacturer-recommended dosage rate for Heatsavr is 1 ounce/400 square feet of pool surface area per day. The dosage is daily as the product is biodegradable. Each system can be programmable to exactly fit the surface area of your pool. Calculate the surface area of your pool (Width x Length) and divide by 400 square feet. This will calculate the amount of Heatsavr (in ounces) necessary for your specific swimming pool daily. For example, a 1,200 sq ft swimming pool will require 3 ounces per day of Heatsavr.

Calculation Example:

<div style="display: flex; justify-content: space-between; align-items: center;"> <div style="text-align: left;">30 Feet</div> <div style="text-align: center;">= 1,200 Sq. Ft.</div> <div style="text-align: right;">1,200/400 = 3 Oz. Per day</div> </div>
40 Feet

The best application time is in the evening, once the swimming pool is closed to the public or when the swimming pool is being used less.

Installation is very simple and the metering system is durable and easy to maintain.

PREFACE

This manual describes how to install, setup, operate and maintain the HS115. Material in this manual is subject to change without notice. Manual revisions will be made on an as needed basis. Special circumstances involving important design, operation or application information will be released via Equipment Technical Bulletins.

Copyright 2003 Beta Technology

SAFETY

These symbols on the unit mean:

- Direct Current
- Alternating Current

SPECIFICATIONS

OPERATING CONDITIONS

Ambient Operating Temperature

35 to 104°F (5 to 40°C)

Altitude

<2000 meters (6500 feet)

Humidity

0 to 100% relative humidity (non-condensing) throughout temperature range.

ELECTRICAL POWER

Options available

115VAC 50/60 Hz +/- 10%

230VAC 50/60 Hz +/- 10%

4 D-cell battery powered

RATING

Pollution Degree: 2

Installation Category II

Intended for indoor use

TIMING CAPABILITY

Up to 24 different times. Daily, weekly, or mixed schedule; variable run time 1 second to 19 minutes and 59 seconds.

DIMENSIONS

115 VAC/230 VAC Version

Height	Width*	Depth**
5.6	4.6	4.8 inches
14.2	11.6	12.2centimeters

D-Cell battery powered Version

Height	Width*	Depth**
5.6	8.4	4.8 inches
14.2	21.3	12.2 centimeters

*Width includes feet

**Depth with Snap Head pump cartridge in place.

Weight

115VAC/230VAC version

1.85 lbs/0.84 kg

D-Cell Battery Powered version

1.57 lbs/0.72 kg*

*D-Cell Battery Powered version without batteries

COMPONENTS

Enclosure

Molded ABS plastic, water-resistant, flame-resistant

Pump

Peristaltic, self-priming and self-checking,

6 Volts DC

SPEED & DISPLACEMENT

When pumping Heatsavr:

100 rpm, 3 oz per min (90 ml per min)

HYDRAULIC PERFORMANCE

Maximum Vacuum

8 in of mercury

Maximum Pressure

20 psi

TUBING MATERIAL

Norprene, 1/4" OD, 1/8" ID

COIN BATTERY

3 Volt Lithium BR2032 or CR2032 (installed)

ACCESSORIES

- 1 Black/Clear check valve
- 1 Rubber stopper
- 1 Check valve injection fitting
- 1 spare squeeze tube
- 25 Feet of polyethylene feed line
- 3-piece standpipe
- Mounting screws
- Tie wraps

REGULATORY

	CSA	CE
115 VAC/U.S.	X	X
230 VAC/E.U.		X
6 Volt	X	X

For confirmation of regulatory compliance, see rating label on unit.

SETUP & GENERAL INSTALLATION

MANUAL OPERATION

INSTALLATION



Refer installation and service to qualified personnel only. Installation must comply with all applicable plumbing and electrical codes.

MOUNTING

The HS115 should be mounted so the LCD screen can be viewed easily. It should be located close enough to both the injection point and liquid supply to ensure unobstructed delivery.

1. Choose a place to mount the system near a power outlet and the pool main feed line.
2. Align the metal mounting bracket and mount on a smooth surface using screws.
3. Place the HS115 over the mounting bracket and slide it down tight.

4. If desired, a screw can be placed in one of the feet to hold the unit in place.

The HS115 can also be mounted using the three plastic feet. If mounting on an uneven surface, be careful not to over-tighten or snap the feet off.

INSTALLING SUPPLY LINES



Turn off the pools circulation system and try to drain the isolated area where you will be drilling and tapping a hole into the main feed line.

HS115 Automatic Metering System Pump & Timer Installation - Schematic View

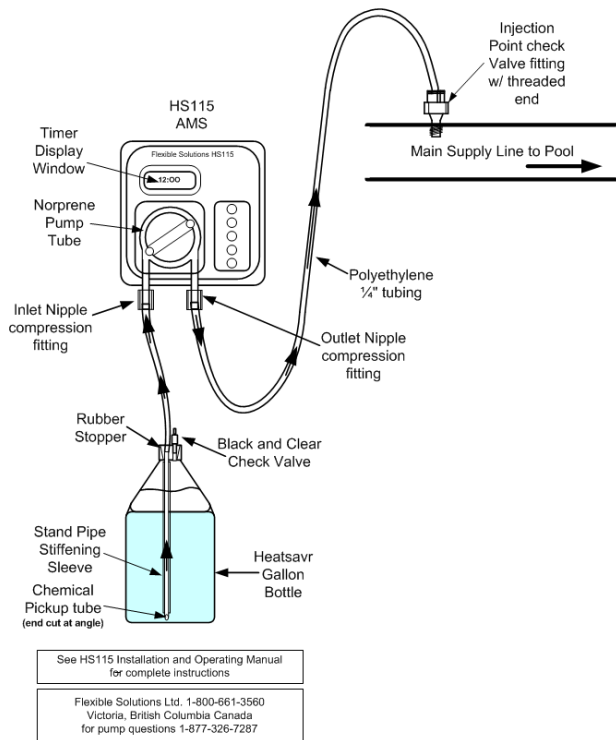


Figure 1c. Supply Line Installation

1. Drill a 21/64" or 8.5mm hole and tap 1/8-27" NPT into the top of the return line downstream of filter; 6" or more from other chemical feeds (chlorine, bromine, etc).
2. Screw in the grey check valve injection fitting using Teflon tape to ensure a tight fit.
3. The polyethylene tubing needs to be cut into three pieces—two for the suction line and one for the discharge line.
 - a. Attach the first piece of tubing to the discharge side of the pump (right side) and run towards injection point in the main feed line to the pool. Avoid uphill runs greater than 10 feet (3 meters). Cut the line to the necessary length then connect the polyethylene line to the grey check valve injection fitting.

- b. The second piece should be cut to roughly 1 foot to fit into the Heatsavr jug as a pick up line. A standpipe is provided to ensure the tube does not curl in the jug. Cut the bottom of the Heatsavr suction line tubing at a 45-degree angle and press it into the standpipe (see Figure 2). This guarantees an unobstructed Heatsavr uptake.

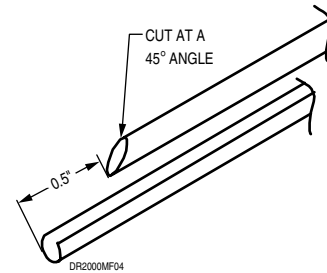


Figure 2. Cutting Chemical Feed Tubing, inserting into Standpipe

- c. The rubber stopper provided is designed to replace the reservoir (Heatsavr Jug) cap and to connect the 1-foot pickup line to the suction line.
- d. Insert the 1 foot pickup tube approximately 1/2" into one of the holes on the bottom of the rubber stopper.



Figure 3. Pickup tube passing through rubber stopper, with check valve.

- e. Insert the second piece of polyethylene tubing into the top of the hole of the rubber stopper

(same hole as the 1-foot pickup tube from Step b).

- f. Cut the suction tubing piece to length so that suction line extends from the Heatsavr jug to the pump. Attach it to the nut of the left side (suction side) of the pumps fittings.

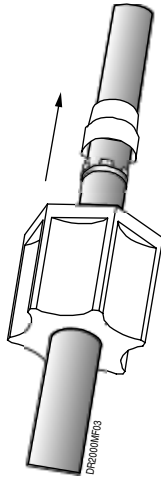


Figure 4. Installing the Heatsavr Feed Line to the Pump Fitting.



Figure 5. Heatsavr Suction Tubing (uptake side) with Standpipe in Heatsavr Jug

- g. Insert the reservoir black/clear check valve into the second hole on the top of the plug. **The black end is the end to be inserted into the rubber stopper.**



Do not leave Heatsavr jug uncovered.



Make sure that all the compression nuts are tight to prevent leakage.



Figure 5a. Discharge tube attached to main feed line

For outdoor installations, mount front cover to pump.

POWER SUPPLY

115 VAC POWER CORD VERSION

This unit comes with a standard power cord. No ground connection is required.

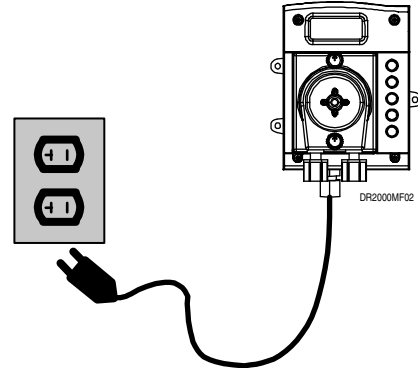


Figure 6. Plugging HS115 into Outlet.

230 VAC POWER CORD VERSION

This unit comes pre-wired for 230 VAC. A 15-amp branch circuit protection (circuit breaker) must be included in the building's electrical installation. It must be installed in close proximity and within easy reach of the HS115 operator. The circuit breaker must be marked as the disconnecting device for the HS115. If the equipment is used in a manner not specified by the manufacturer, the protection provided may be impaired. **Plug will be included with all 230VAC.**

D-CELL BATTERY POWERED VERSION

This unit comes with a battery pack for 4 D-Cell batteries (batteries not included). The D-Cell battery holder is housed in the battery compartment.

INSTALLATION

1. Remove the 4 screws holding the battery-housing top in place (the battery pack bezel).
2. Lift off the top and remove the battery holder, being careful not to damage the gasket.
3. Insert 4 D-cell batteries as indicated.
4. Replace the battery holder and battery-housing top.
5. Refit and tighten the 4 screws, being careful not to damage the gasket.

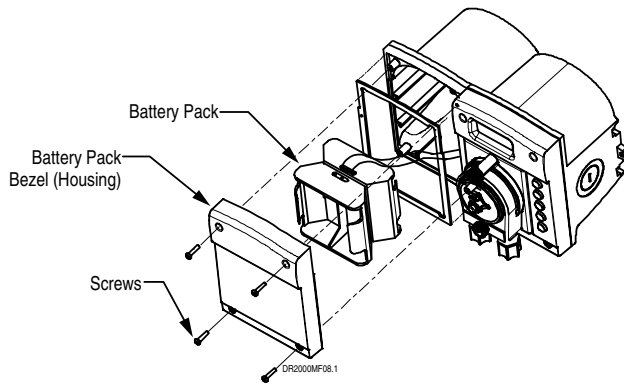


Figure 7. Inserting D-Cell Batteries

Ensure that the front plate is firmly in place and the screws properly tightened to prevent moisture from entering into the unit and to maintain the HS115 water resistance.

It is not necessary to remove the front of the pump control box. The batteries are in the battery compartment. They can be changed without opening the pump side of the HS115.

BATTERY LIFE

It is important to know that there is significant difference in quality between commercially-available D-cell batteries. “Heavy-duty” and “Copper Top” brand batteries tend to last the shortest length of time, while the Duracell Ultra M3 and Energizer Max batteries can last up to ten times longer. We recommend that you **ONLY** use these high-quality alkaline batteries.

There is a 3-volt lithium battery on the main PCB that serves as an emergency backup power supply. This battery provides backup power to retain the clock settings during power loss. It provides enough power to retain time and event date but will not run the pump. The life of this battery will depend on the amount of time that power is lost during the lifetime of the pump and the average ambient temperature. Because of the extremely low power demands of the HS115, it may never be necessary to change this battery. If this battery does go dead, the clock will revert to the default time of 12:00 AM of Day 1 and all programmed events will be erased after a power loss. A replacement battery can be purchased commercially. See the **Periodic Maintenance** section for more information.

OPTIONAL LOW LEVEL ALARM KIT

An optional low level (sonic) alarm and low level alarm lance are available (see Spare Parts list).

The low level alarm lance is inserted into the Heatsavr drum and the sonic alarm is installed on the left side of the pump housing. Both are wired into the appropriate connectors on the main PCB. The lance detects when the Heatsavr Jug drum is empty and the sonic alarm issues an audible alarm. Refer to the installation instructions in the low level alarm kit for more detailed instructions.

SETUP & PROGRAMMING

During normal operation, the HS115 is in Run Mode. In Run Mode, the screen will display the current time and day of the week; and the colon will blink once per second.

The HS115 is programmed using the 5 buttons and screen in the front of the unit.

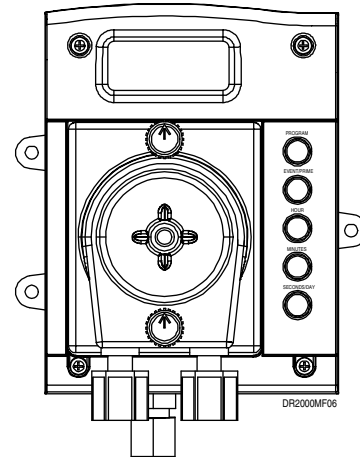


Figure 8. DR-2000, Front Plate

ENTERING PROGRAM MODE

To begin programming, you must first enter into Program Mode. To do this, hold down the Program button for 8 seconds. The colon will blink fast and irregularly while the Program button is pressed. The screen will flash and the colon will stop blinking to indicate that you have successfully entered Program Mode. The screen display will not change. It will continue to show the current time and day of the week.

SETTING THE CLOCK

Once you enter Program Mode, your first option is to set the clock. Use the Hours button and the Minutes button to change the time of day. The clock will display “P” for PM settings. Use the day button to change the day of the week. We recommend that you program Monday as day 1.

PROGRAMMING WHEN AN EVENT WILL OCCUR

Programming Timer

The HS115 metering system and recommended tube (Norprene) is designed to move a volume of **3 ounces/minute** of Heatsavr. Determine the pools surface area. The pump needs to run for 20 seconds for every 400 sq. ft. of surface area.

The best time to run the pump is at the end of the day, when pool closes to the public or when the swimming pool is being used less.

Example:

30 x 40 ft pool has about 1,200 sq. ft. of surface area. The pump will need to run for 1 minute (3 ounces per 60 seconds or 1 ounce per 20 seconds) to provide the adequate liquid blanket.

Set the timer to start at 10:00 pm (22:00 hrs) and then run for a period of 1 minute.

Total Surface Area in Sq. Ft.	Ounces/Day	Min:Sec
800	2	00:40
1,000	2.5	00:50
1,200	3	01:00
2,000	5	01:40
3,600 (junior Olympic)	9	03:00
13,600 (Olympic)	34	10:20

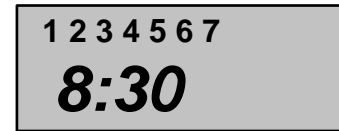
Most Municipal pools are at least junior Olympic Size (82ftX42ft), which is roughly 3,600sq.ft. and up to the size of an Olympic pool (165ftX82ft), which is roughly 13,600sq.ft.

1. Press the Event button once. You will see the following screen. This screen indicates which event you are entering, in this case event 1.



2. Press the Event button again. This screen shows the day and time this event will begin.
3. Change the time that the event will occur using the Hours and Minutes buttons.
4. Change the day of the week that this event will occur using the Day button. When scrolling through the Day menus, you will see that you are able to select from the following options:

- Select each day individually, as days 1 through 7, 1 representing Monday.
- Select all the days of the week, 1 through 7 appear together (recommended).
- Select week days only, 1 through 5 appear together
- Select weekend days only, 6 and 7 appear together



The screen above indicates that the event will occur all days at 8:30 AM (everyday).

PROGRAMMING HOW LONG AN EVENT WILL BE

Once you have programmed when the event will occur, press the Event button again. The screen will display the duration of the event in Minutes and Seconds. Min:Sec will appear in the bottom of the screen. The maximum run time is 19 minutes and 59 seconds. Set the duration of the event using the Minutes button and the Seconds button. We recommend you allow an interval of 20 minutes between events.



The above screen indicates that the event will have a duration of 1 minute.

Once you have finished programming the first event, press the Event button again to move to next event. You can program up to 24 events this way. However, a normal Heatsavr injection schedule should only use 1 event, which will occur each day of the week.

In situations where two events have been programmed for the same time and day, the highest numbered event will be the one the HS115 accepts. For example, if Event #1 is set for 30 seconds at 2:00 on day 1 and Event #4 is set for 10 seconds at 2:00 on day 1, event #4 will take precedence and the pump will activate for 10 seconds at 2:00 on day 1.

CLEARING UNWANTED EVENTS

As a rule, it is a good idea to clear events that you do not plan to use. This eliminates the occurrence of any unwanted events. To clear unwanted events:

1. Go to the event screen of the first event you want to clear.
2. Press and hold the Hours and Minutes buttons.
3. While still pressing the Hours and Minutes buttons, press and hold the Event button. The unit will scroll

through all higher-numbered events and clear them (by setting the duration to “000”). The unit will stop clearing after event 24.

EXAMPLE OF CLEARING UNWANTED EVENTS

Let’s say you’ve programmed events 1 through 5 and are not planning to use events 6 through 24. It is advisable to be sure that there are no events programmed for 6 through 24. To do this:

1. Go to the Event 6 screen.
2. Press the Hours, Minutes and then Event buttons and hold them down. The unit will scroll from Event 6 through 24, setting all values to “000”. This process will stop when it returns to Event 1. You now have Events 1 through 5 as you programmed them and Events 6 through 24 cleared.

RETURNING TO RUN MODE

When you have finished programming, you can return to Run Mode by pressing the Program button once. The colon will again flash normally (once per second). If you leave the HS115 in Program Mode and unattended for 2 1/2 minutes, it will switch back into Run Mode automatically.

You can be sure you are in Run Mode by pressing the Prime button and priming the pump. The Prime button will not prime the pump if you are not in Run Mode.

PRIMING

1. Ensure that you are in Run Mode.
2. Press the Prime button to operate the pump.

ORDERING INFORMATION

Main PCB	1202397
Power PCB 115 VAC	1202396
Power PCB 230 VAC	1202678
D-cell Battery Holder	1202596
Pump Motor Gearbox 6 VDC	057755
Tube Insert 1/4 inch	036969
Tube Fitting, Nut 1/4 inch	043823
Tube Fitting Nut 1/4 inch, Pack of 5	092213
Mounting Bracket, Stainless Steel for 115 VAC and 230 VAC	087235
Mounting Bracket, Stainless Steel for D-cell Battery Unit	069188
Pump Roller Assembly	039550
Bezel Gasket	1202615
Pump Gasket	099705
Low Level Alarm Buzzer Kit w/Strain Relief	1202595

Low Level Alarm Lance	091518
Norprene Squeeze Tube	057203
Check Valve Injection Fitting	051466
Rubber Stopper	RS02
Black/White Check Valve	RHCV01

MAINTENANCE



Safety glasses and protective clothing should be worn while servicing the HS115. Refer installation and service to qualified personnel only.

PERIODIC MAINTENANCE

PUMP & SQUEEZE TUBE REPLACEMENT SCHEDULE

Since every installation is different (operating frequency varies) an exact tube replacement schedule cannot be specified. With use, the tube slowly evolves from round to oval, and the amount of Heatsavr pumped decreases. By regularly checking the amount of Heatsavr pumped, you can determine general tube life. We recommend that you closely monitor the time it takes the original tube to reach the end of its flex life, and then establish a replacement schedule. Replacing tubes at regularly scheduled intervals ensures more accurate product use and reduces service calls. In general, short feed lines of a large diameter will improve pump tube life.

REPLACING PUMP CARTRIDGES

TO REMOVE

1. Turn off power to the unit to ensure that the pump does not run during maintenance.

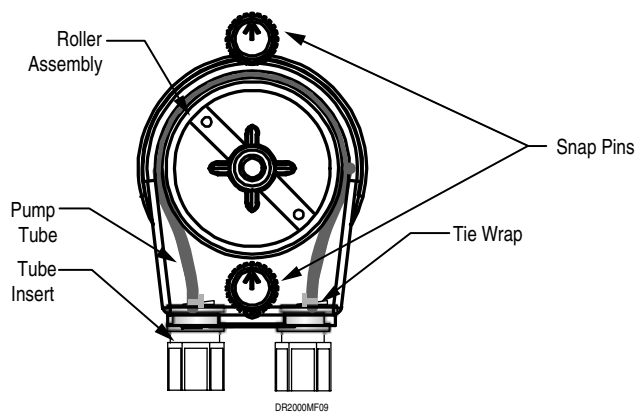


Figure 9. SnapHead Pump Cartridge

2. Remove the cartridge from the motor housing by twisting the snap pins at top and bottom 90° to the left or right.
3. Remove the supply and feed lines from the old pump squeeze tubing and connect them to the new pump squeeze tubing.

TO INSTALL

1. Align and engage the pump drive spline with the motor gear by rotating the roller assembly.
2. Turn the snap pins so that the arrow is pointed up. Then push in until you hear a distinct click.

REPLACING PUMP SQUEEZE TUBING



Splash danger! Because the squeeze tube contains chemical product and is flexible, extra caution should be taken while changing the squeeze tube to insure that the chemical does not splash in the eyes or on the hands or clothing of the service person.

Always wear protective eyewear, gloves and protective clothing when changing the squeeze tube.

1. Remove the cartridge as described above.
2. Loosen but do not remove the small screw at the bottom of the rear cover and lift the cover from the cartridge.
3. Pull the roller assembly out of the pump cartridge to release the pump squeeze tubing.
4. Pull the tube inserts out of the pump cartridge.
5. Remove the squeeze tube.
6. Replace it with a new squeeze tube.
7. When inserting a new squeeze tube, coat the inside of the cartridge with a liberal amount of Vaseline lubricant.
8. Press the two tube inserts into the cartridge so that the tie wrap "buckles" face toward the center of the pump. Remember, the tube must not be twisted during the assembly.
9. Replace the roller assembly.
10. Replace the rear cover.
11. Re-tighten the screw.

HOW TO REPLACE PUMP MOTOR

TO REMOVE

1. Ensure that power is off.
2. Remove the 4 screws holding the front plate (bezel) in place.
3. Remove the front plate.
4. Remove the pump cartridge from the motor assembly, leaving the chemical lines attached.
5. Remove the electrical connections at the back of the motor.
6. Compress the two flex ears on the back of the motor until the motor slides out through the hole in the front plate.

TO REPLACE

1. Locate the alignment tip of the motor housing so it is in the down position.

2. Slide the pump motor housing into the front plate hole. The holding ears will expand to hold the pump motor in place. Verify that both ears popped out and are locked in place.
3. Reinstall the electrical connections at the back of the motor.
4. Install the pump cartridge.
5. Prime the pump to verify proper pump rotation (clockwise). If the direction is wrong, switch the motor wires.

HOW TO REPLACE THE MAIN PCB

1. Disconnect power to the unit.
2. Remove the 4 screws holding the front plate of the HS115 control box in place. Remove the front plate (bezel), being careful not to damage the gasket.
3. Detach the power wire connection coming from the power PCB to the main PCB.
4. Detach the motor supply wires from the PCB.
5. Place the bezel face down on the work surface.
6. Remove the 4 screws holding the main PCB to the bezel.
7. Gently lift the main PCB out of the bezel.
8. If the zebra strips and display screen stick to the old PCB, remove them and place them in the bezel, being careful to keep their orientation.
9. Align the new PCB over the zebra strips and replace the 4 screws. Be sure to tighten the screws into position. The pressure these screws exert on the PCB is important for maintaining water resistance and holding the display in place.
10. Reattach the motor supply wires to the main PCB at the terminal marked "motor".
11. Reattach the power supply to the terminal marked "+6VDC".
12. Remount the front plate (bezel) and retighten the screws, being careful not to damage the gasket.

Between the main PCB and the front plate (bezel) are the buttons, screen and zebra strips. It is important that these items are properly aligned and that the screws holding the PCB in place be properly tightened. If these items are not properly aligned and held in place by pressure from the 4 screws, water resistance may be lost around the buttons or the screen may not display properly.

HOW TO REPLACE THE POWER PCB

1. Disconnect power to the unit.
2. Remove the 4 screws holding the front plate of the HS115 control box in place. Remove the front plate (bezel), being careful not to damage the gasket.
3. Detach the power wire connection from the main PCB.

4. Detach the power cord.
5. Remove the screws holding the power PCB in place.
6. Gently lift out the power PCB.
7. Align the new power PCB and replace the screws. Be sure to tighten the screws into position.
8. Reattach the power cord to the terminal block.
9. Reattach the power wire connection from the main PCB.
10. Remount the front plate (bezel) and retighten the screws, being careful not to damage the gasket.

HOW TO REPLACE COIN BATTERY

1. Ensure that power is off.
2. Remove the 4 screws holding the front plate of the HS115 control box in place. Remove the front plate (bezel), being careful not to damage the gasket.
3. Locate the coin battery on the PCB.
4. Slip the coin battery out and replace it with a new one (3 Volt lithium BR2032 or CR2032).
5. Remount the front plate (bezel) and retighten the screws, being careful not to damage the gasket. When the lithium backup battery is removed, all programmed events will be erased and the clock will revert to its default setting of 12:00 AM, Monday.

CLEANING THE UNIT

Wipe pump housing clean with a dry rag.

TROUBLESHOOTING

PUMP RUNS CONTINUOUSLY

If the pump runs without being activated, replace the main PCB.

PUMP IS RUNNING BACKWARDS

Check that the polarity of the wires from the main PCB to the motor is correct.

PUMP RUNS TOO SLOWLY

1. Check that the squeeze tube or pump cartridge is not jammed.
2. Check the chemical uptake line for kinks.
3. Verify that the chemical uptake line is not forming a seal against the side or bottom of the chemical drum (See: INSTALLING SUPPLY LINES in INSTALLATION section).
4. If the liquid being pumped is very viscous the pump may labor in order to move it. Using a less viscous chemical, pumping shorter distances, setting longer run times, and assuring that the squeeze tube is in good condition will help address this issue.

FOR 115 VAC AND 230 VAC VERSIONS:

1. Verify that the correct line power is installed and adequate power is arriving to the unit.
2. Check for 6.0 volts DC or greater at the motor connection wires with the motor disconnected and the pump prime button activated. If this voltage is present, replace the motor gearbox. If the problem persists after the motor gearbox has been replaced, replace the power PCB. If the voltage is absent, replace the main PCB.

FOR D-CELL BATTERY POWER VERSION

1. Check for 6.0 volts DC or greater coming from the battery holder. If voltage is absent, replace the batteries. If voltage is present, proceed with step 2.
2. Check for 4.5 volts DC or greater at the motor connection wires with the motor disconnected and the pump Prime button activated. If this voltage is present, replace the motor gearbox. If the voltage is absent, replace the main PCB.

PUMP WILL NOT RUN

1. Check that the squeeze tube or pump cartridge is not jammed.
2. Check the chemical uptake line for kinks.
3. Verify that the chemical uptake line is not forming a seal against the side or bottom of the chemical drum (See: INSTALLING SUPPLY LINES in INSTALLATION section).
4. Check to see that the motor connection wires are properly connected from the main PCB to the motor gearbox.
5. Press the Program button once to assure that you are in Run Mode. If you are in Run Mode the colon should blink once per second. You must be in Run Mode for programmed events to occur.
6. Push the Prime button and try to prime the pump. If the pump does prime, check that events are properly programmed.

FOR 115 VAC AND 230 VAC VERSIONS

1. Verify that the power is connected.
2. Check for 6 to 11 volts in the wire harness from the power PCB to the main PCB. If the voltage is absent, replace the power PCB.
3. Check for 6 volts DC or greater at the motor connection wires with the motor disconnected and the pump prime button activated. If this voltage is present, replace the motor gearbox. If the voltage is absent, replace the main PCB.

FOR D-CELL BATTERY POWER VERSION

1. Make sure that the batteries are properly aligned.
2. Make sure that the polarity of the wires running from battery pack to the main PCB is correct.

3. Check for 4.5 volts DC or greater coming from the battery holder. If voltage is absent, replace the batteries. If voltage is present, proceed with step 2.
4. Check for 4.5 volts DC or greater at the motor connection wires with the motor disconnected and the pump Prime button activated. If this voltage is present, replace the motor gearbox. If the voltage is absent, replace the main PCB.

For a programmed event to occur, the event must be programmed at least 1 minute in the future. If you return to Run Mode after the start of a programmed event, that event will not occur until the next programmed interval.

CLOCK RESETS TO 12:00 AM AND EVENTS ARE ERASED WHEN UNPLUGGED OR POWER IS LOST

Replace backup battery.

PUMP WILL NOT OPERATE WHEN PROGRAMMED INTERVAL OCCURS

Check event programming. If setup is correct, and the prime switch activates the pump, replace the main PCB.

PUMP WILL NOT PULL LIQUID FROM THE SUPPLY CONTAINER

1. If there is too much vacuum created, the pump will not be able to move the chemical. This is easily recognized when the squeeze tubing collapses. If this happens:
 - a) Check that the squeeze tube or pump cartridge is not jammed.
 - b). Check the chemical uptake lines for kinks.
 - c). Ensure that the chemical uptake line is not forming a seal against the side or bottom of the chemical drum (See INSTALLING SUPPLY LINES in INSTALLATION section).
 - d). Using a less viscous chemical, pumping shorter distances, setting longer run times and ensuring that the squeeze tube is in good condition will help address the issue.
2. Check to see that there is not an air leak somewhere along the chemical supply line.

PRODUCT REPAIR

If an item is in need of repair, please call or write to obtain a Return Authorization (RA) number. When calling, ask for the Repair Department. They provide RA

numbers. Then, please write the number on the outside of the box before sending. It is very helpful to our Repair Department to include a note explaining the nature of the problem. Failure to obtain an authorization number before returning an item may delay repair of the equipment.

WARRANTY

All Beta Technology Incorporated dispensers are generally warranted against defects in material and workmanship for a period of one year from shipment date, except where otherwise noted. Printed circuit boards have a warranty period of two years, except where otherwise noted. All plastic parts and parts that come in direct contact with chemical products under normal operation are warranted for 90 days, except for squeeze tubing which is warranted to be operational at time of delivery only. Units will be repaired which are proven to be defective during the warranty period provided they are returned to Beta Technology Incorporated. No other warranty is expressed or implied. Warranty does not cover equipment abuse or misuse, nor does it cover any consequential liability resulting from performance of the equipment.



Beta Technology
2841 Mission Street
Santa Cruz • CA
U.S.A. • 95060-2142

TEL • 831 • 426 • 0882
TEL • 800 • 858 • 2382
FAX • 838 • 423 • 4573
FAX • 800 • 221 • 8416

<http://www.beta-technology.com>
sales@beta-technology.com

Beta Technology is ISO 9001 Certified