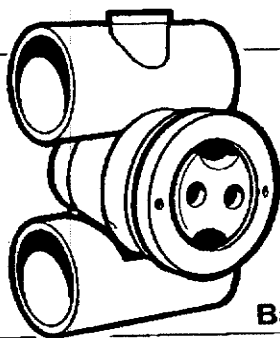


A

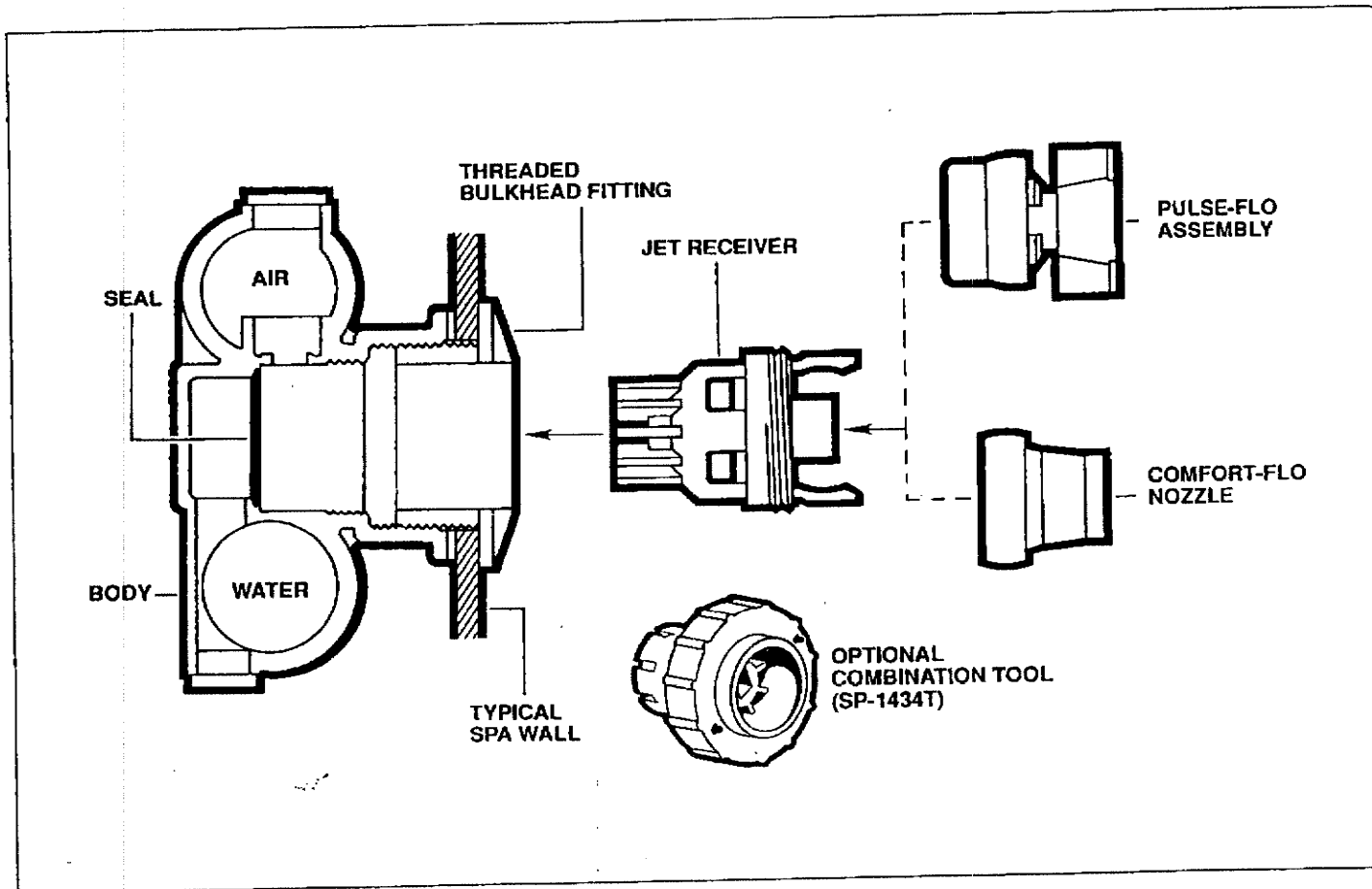


# HAYWARD JET-AIR® III HYDROTHERAPY FITTINGS

SP-1435-PAKB COMFORT-FLO™ NOZZLE PAK

SP-1436-PAKB PULSE-FLO™ NOZZLE PAK

Basic Jet Body Illustrated with SP-1436-PAKB Installed.



## INSTRUCTIONS

1. Thread Jet Receiver into Body using your fingers or optional Hayward Combination Tool (SP-1434T). Hand tighten only. Note: Be sure to check that the Seal is secure in the rear of the Body.
2. Simply snap in Comfort-Flo Nozzle or Pulse-Flo Assembly into Jet Receiver.
3. The Comfort-Flo Nozzle can be directed/aimed by pushing the end of the nozzle in the desired direction.
4. To remove the Comfort-Flo Nozzle or Pulse-Flo Assembly simply pull from the Jet Receiver.



## HAYWARD POOL PRODUCTS, INC.

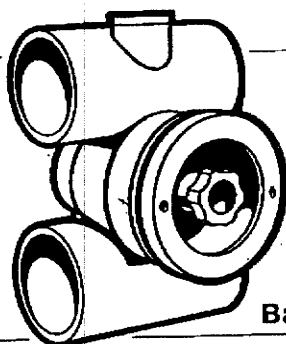
Hayward Pool Products, Inc.  
900 Fairmount Avenue  
Elizabeth, NJ 07207

Hayward Pool Products, Inc.  
2875 Pomona Boulevard  
Pomona, CA 91768

Hayward Pool Products Canada  
2880 Plymouth Drive  
Oakville, Ontario L6H 5R4

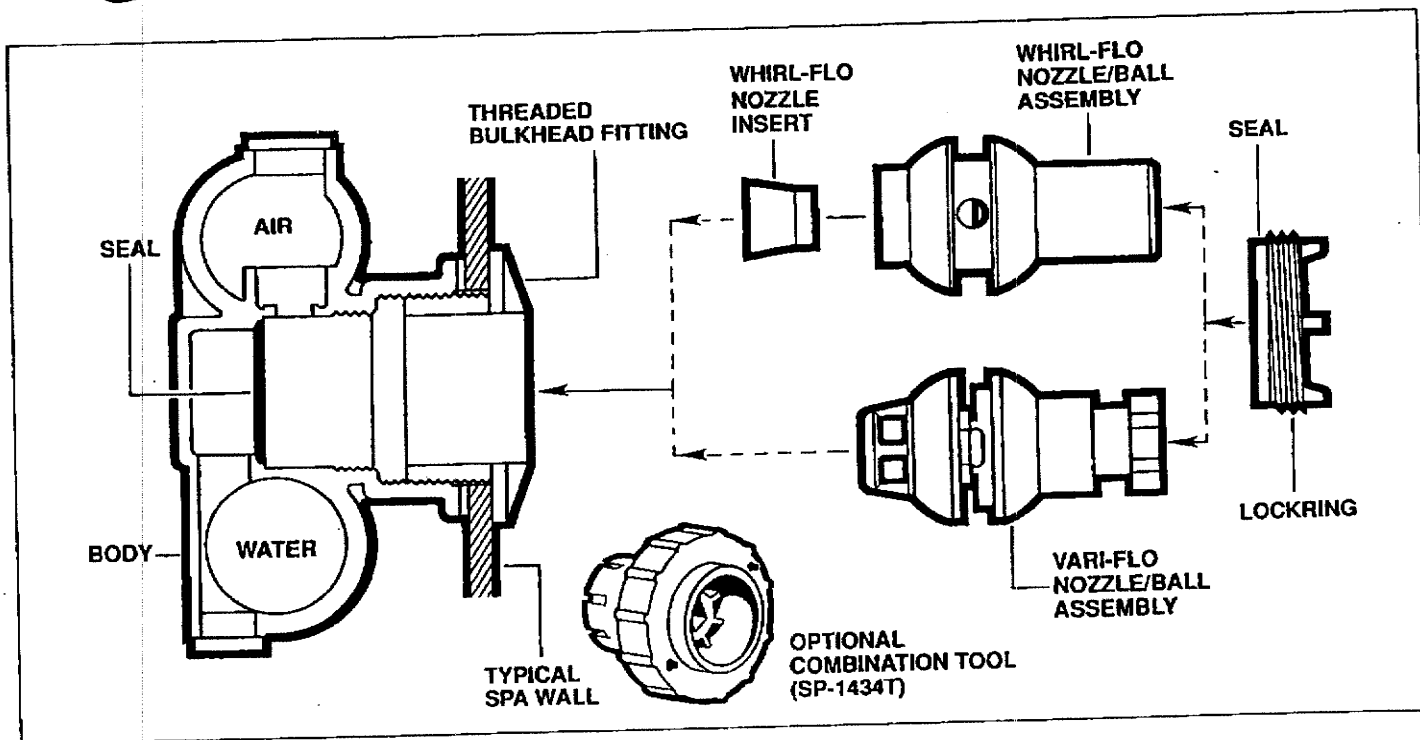
Hayward S.A.  
Zoning de Jumet  
B6040 Jumet, Belgium

A



# HAYWARD JET-AIR® III HYDROTHERAPY FITTINGS

SP-1434-PAKB VARI-FLO™ NOZZLE PAK  
SP-1437-PAKB WHIRL-FLO™ NOZZLE PAK  
Basic Jet Body Illustrated with SP-1434-PAKB installed.



## INSTRUCTIONS

1. Insert Nozzle/Ball Assembly into Body. Note: Be sure to check that the Seal is secure in the rear of the Body.
2. Thread in Lockring using finger grips, needle nose pliers inserted into the holes in the Lockring, or optional Hayward Combination Tool (SP-1434T). Hand tighten only.
3. The Nozzle/Ball Assembly can be directed/aimed by pushing the end of the nozzle in the desired direction. Note: If the nozzle is hard to move, do not force. Loosen Lockring slightly to allow ball to rotate.
4. The Vari-Flo air/water flow can be adjusted by turning the end of the nozzle clockwise (less flow) or counter-clockwise (more flow).
5. The Whirl-Flo Nozzle Insert can be removed to change the flow. Before placing the Nozzle/Ball Assembly into the Body, push your finger into front of nozzle to snap out Insert. Note: Removing the Insert may reduce the flow to the other jets.



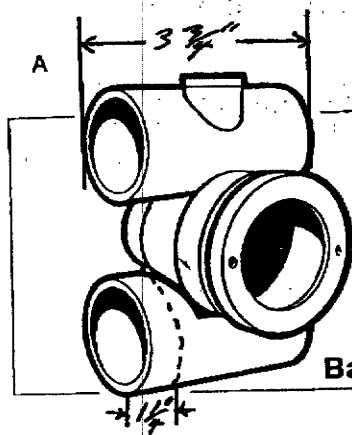
## HAYWARD POOL PRODUCTS, INC.

Hayward Pool Products, Inc.  
900 Fairmount Avenue  
Elizabeth, NJ 07207

Hayward Pool Products, Inc.  
2875 Pomona Boulevard  
Pomona, CA 91768

Hayward Pool Products Canada  
2880 Plymouth Drive  
Oakville, Ontario L6H 5R4

Hayward S.A.  
Zoning de Jumet  
B6040 Jumet, Belgium



# HAYWARD JET-AIR® III HYDROTHERAPY FITTINGS

SP-1434-PAKA, 1434-1-PAKA, 1434-2-PAKA, 1434-3-PAKA  
COMMON BODY ASSEMBLY

Basic Jet Body Illustrated.

## AIR SUPPLY

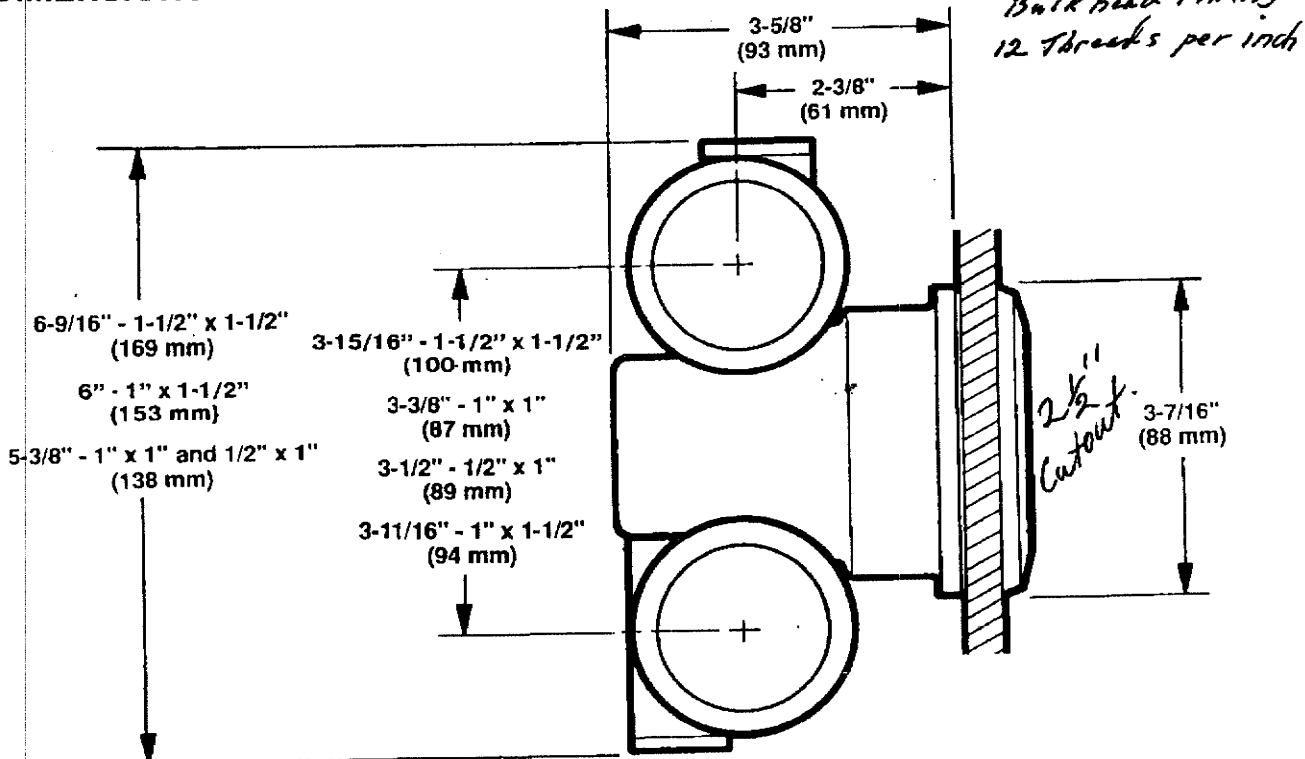
There are two basic ways the air connection may be made; 1) continuous loop 1/2", 1" or 1 1/2" air supply piping (manifold type) or; 2) air supply pipe for each fitting. If a manifold is chosen, solvent weld/cement the air cap into the fitting body to seal air cap socket. For individual air tube, use standard 1/2" PVC pipe cut to length and solvent weld/cement into the inside body socket. Air supply pipe must be long enough so it is above water level. Make connections with the body inverted to prevent excess solvent cement or primer

from dripping into the air passages and other internal parts of the fitting body.

## BULKHEAD FITTING

Fitting cutout hole is 2 1/2" diameter (use standard 2 1/2" hole saw). Use the gasket provided or an RTV Silicone Adhesive between the body and the back of the spa wall. Tighten fitting using optional Hayward Combination Tool (SP-1434T); or universal spanner wrench with 3/16" diameter pins set to 2 13/16" spacing.

## DIMENSIONS



## HAYWARD POOL PRODUCTS, INC.

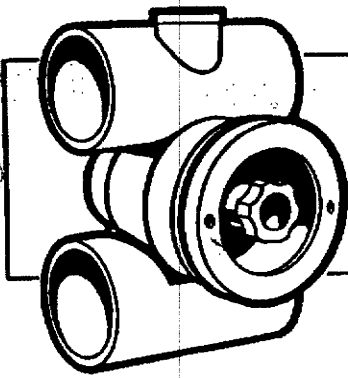
Hayward Pool Products, Inc.  
900 Fairmount Avenue  
Elizabeth, NJ 07207

Hayward Pool Products, Inc.  
2875 Pomona Boulevard  
Pomona, CA 91768

Hayward Pool Products Canada  
2880 Plymouth Drive  
Oakville, Ontario L6H 5R4

Hayward S.A.  
Zoning de Jumet  
B6040 Jumet, Belgium

B



# JET-AIR® III

## HYDROTHERAPY FITTINGS

Max 15 GPM  
Min 10 GPM

### AIR SUPPLY

There are two basic ways the air connection may be made; 1) continuous loop 1" or 1½" air supply piping (manifold type) or; 2) air supply pipe for each fitting. If a manifold is chosen, solvent weld/cement the air cap into the fitting body to seal air cap socket. For individual air tube, use standard 1/2" PVC pipe cut to length and solvent welded/cemented into the inside body socket. Air supply pipe must be long enough so it is above water level. Make connections with the body inverted to prevent excess solvent cement or primer from dripping into the air passages and other internal parts of the fitting body.

**Note:** Be sure to remove jet nozzle/ball assembly before cementing supply piping, air tubes, etc.

### BULKHEAD FITTING

Fitting cutout hole is 2½" diameter (use standard 2½" hole saw). Tighten fitting using Hayward Combination Tool (SP-1434T); or universal spanner wrench with 3/16" diameter pins to set to 2-13/16" spacing.

### INSTALLING/REMOVING JET NOZZLE

To remove the jet nozzle/ball assembly from fitting, simply unscrew the lockring counter-clockwise using the finger grips; or needle nose pliers inserted into the holes in the ring (or use Hayward optional Combination Tool, Part No. SP-1434T). The jet nozzle/ball assembly may now be removed from the front of the fitting.

Part No. SP-1434T). The jet nozzle/ball assembly may now be removed from the front of the fitting.

### TO REMOVE NOZZLE FROM THE BALL

Remove the retaining clip by prying it up. The nozzle may now be removed from the ball by turning counter-clockwise until it is free.

After cleaning the nozzle, inspect nozzle o-ring for damage before reassembling into ball. Replace o-ring if necessary. Screw nozzle into ball clockwise to its stop. Replace retaining clip. Replace entire nozzle/ball assembly into fitting body and secure snugly with lockring. Do not overtighten.

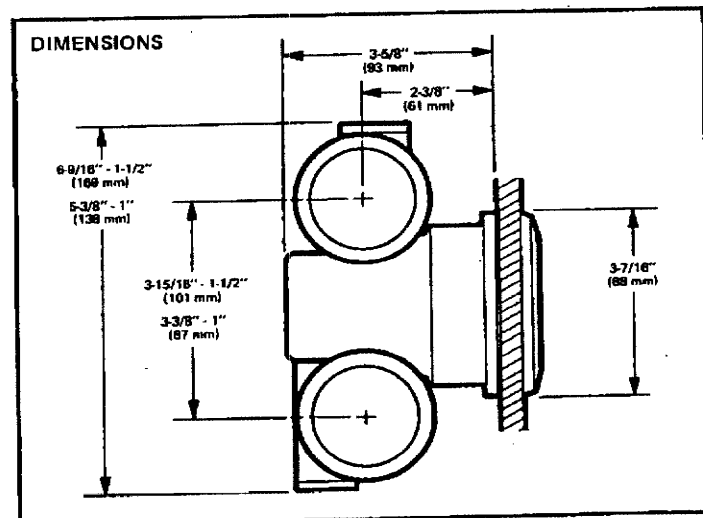
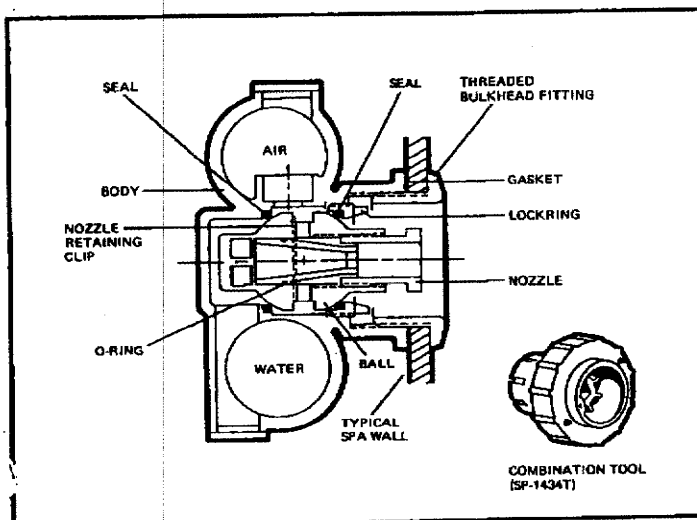
### BALL SEALS

Seals in front and back of ball are self-lubricating and long wearing. When replacement is required, simply pry out of recess and snap new seals in.

### OPERATION

Air/water flow adjustment is made by turning the nozzle counter-clockwise (more flow) or clockwise (less flow). The nozzle/ball assembly may be directed/aimed by pushing the end of the nozzle in the desired direction.

**Note:** If the nozzle is hard to move, do not force. Loosen lockring slightly to allow ball to rotate.



## HAYWARD POOL PRODUCTS, INC.

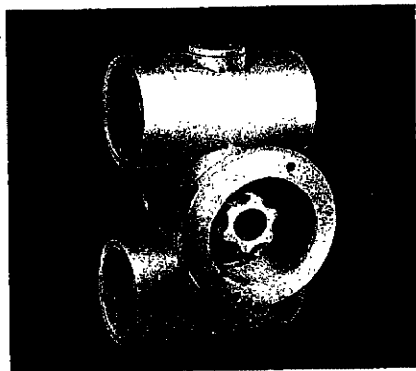
900 FAIRMOUNT AVENUE, ELIZABETH, NEW JERSEY 07207 / Phone: (201) 351-5400

# Escape to... the Mood Setters™

## Hayward's New Family of High Performance Jet-Air® Hydrotherapy Fittings

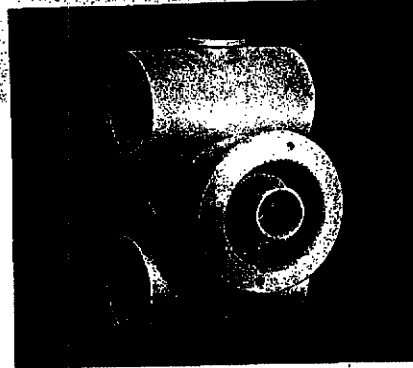
Replenish your body and mind with the Mood Setters, a new series of advanced hydrotherapy jet fittings that are designed to accommodate virtually every type of mood you're in. Completely interchangeable, the Mood Setter series lets you easily select the specific type of hydro-massage action you desire – from gentle massage to vigorous whirlpool. The next time you need to escape from the rigors and pressures of the world, escape to the Mood Setters.

SP-1434  
Adjusta-Flo™



Restore your well being with the adjustable and fully directional Adjusta-Flo hydrotherapy fitting. Featuring full flow regulation at the nozzle for extra convenience and versatility, the Adjusta-Flo sets the standard in performance and pleasure.

SP-1435  
Comfort-Flo™

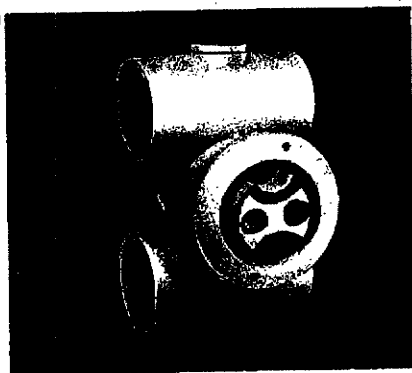


The newest addition to the Mood Setter series is the fully directional, high-volume Comfort-Flo. Its unique patented tri-jet design accelerates the synergism of air and water into a broader, more soothing feel; gently caressing both body and mind.

*Like Turbo Jet. At least 60% stronger.*

*This unit "whirls" not whirl Flo. It pulsates.*

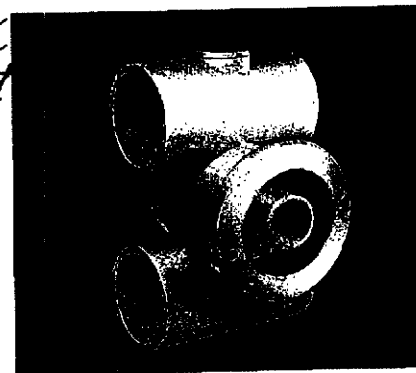
SP-1436  
Pulse-Flo™



Relaxation in motion. Enjoy this truly revolutionary sensation from a jet that actually feels as though it pulsates as it rotates. High-tech, relaxing and fun, the Pulse-Flo provides the ultimate in hydro-massage action.

*This unit has a directional flow on ly. It does not whirl, nor can the flow strength be regulated.*

SP-1437  
Whirl-Flo™



For decades, high-powered whirlpool-action has tempered, relaxed and revived. Avail yourself and your body of the same rewards. Fully directional, the powerful yet soothing extra high output of the unique Whirl-Flo nozzle is an unforgettable experience.



## HAYWARD POOL PRODUCTS, INC.

Hayward Pool Products, Inc.  
900 Fairmount Avenue  
Elizabeth, NJ 07207

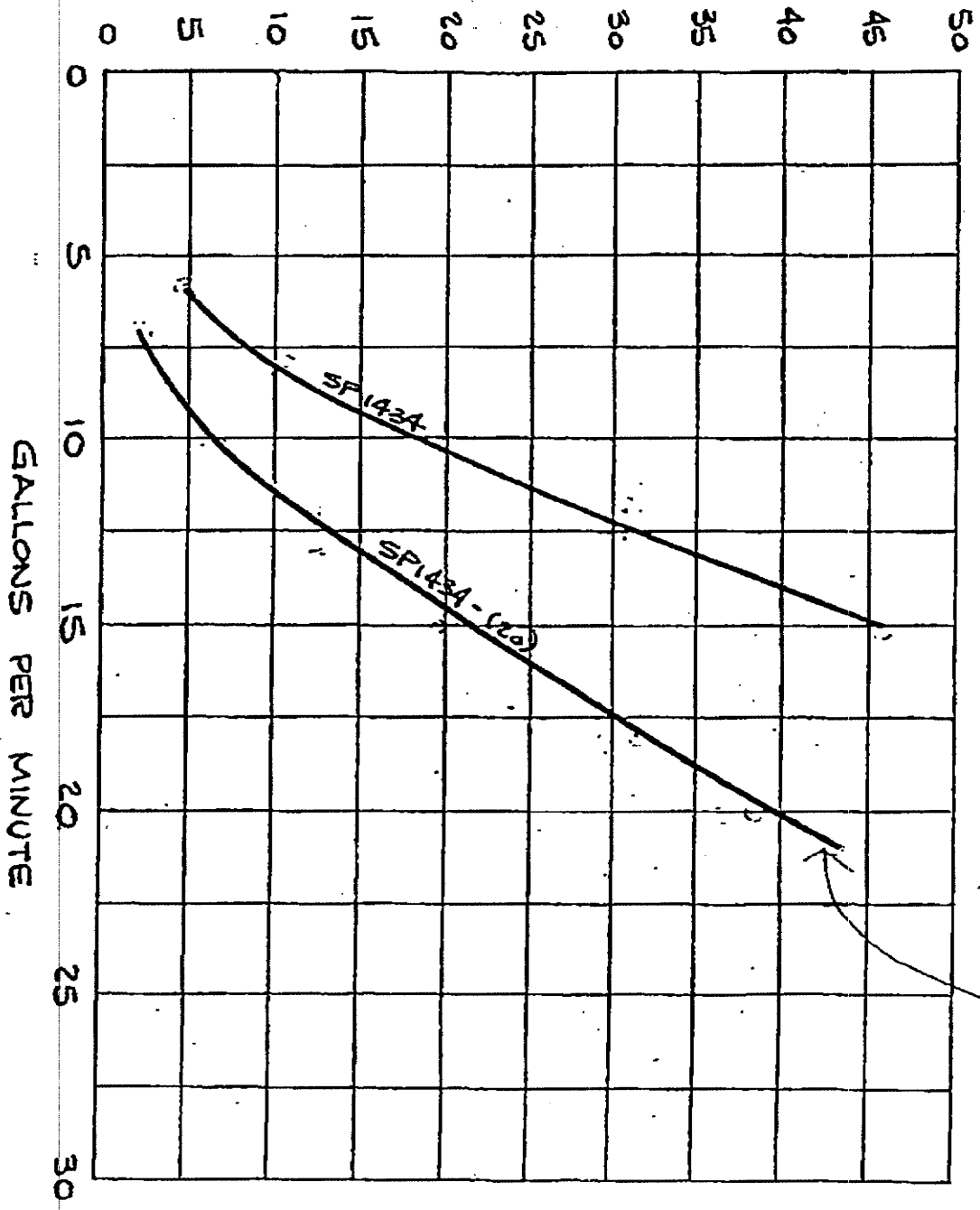
Hayward Pool Products, Inc.  
2875 Pomona Boulevard  
Pomona, CA 91768

Hayward Pool Products Canada  
2880 Plymouth Drive  
Oakville, Ontario L6H 5R4

Hayward S.A.  
Zoning de Jumet  
B6040 Jumet, Belgium

2074

### PRESSURE AT FITTING HEAD IN FEET



JET-AIR III HYDROTHERAPY FITTING

SP1434 25  
NOT  
production