

# INSTRUCTIONS:

- A MEASURE THE HEIGHT OF SLIDE.
- B or C MEASURE THE DEPTH OF WATER AT TIP END OF SLIDE.
- D MEASURE THE HEIGHT ABOVE WATER AT TIP END OF SLIDE.

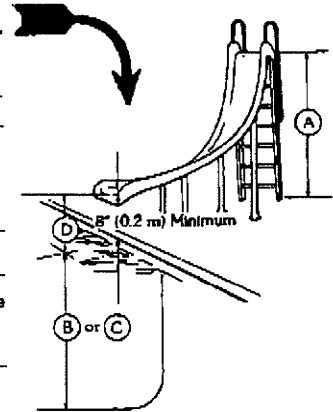
Send request to TRIAC Industries Inc. for instructions on proper installation when slide runway is to be moved to new location.

## COMPARE MEASUREMENTS TO CHART ACCORDING TO DATE OF SLIDE INSTALLATION

SLIDE INSTALLATIONS PRIOR TO 7/17/76		SLIDE INSTALLATIONS AFTER 7/17/76*			
Height to top of slide runway (A)	Minimum depth of water measured at tip end of slide (B)	CPSC required minimum depth of water at tip end of slide (C)	CPSC required minimum depth of water to be maintained for following distances	CPSC required maximum distance above water at end of slide** (D)	CPSC required minimum distance above deck coping to runway
7'3" (2.2 m)	3' (0.9 m)	4' (1.2 m)	13'6" (4.1 m)	20" (0.5 m)	8" (0.2 m)

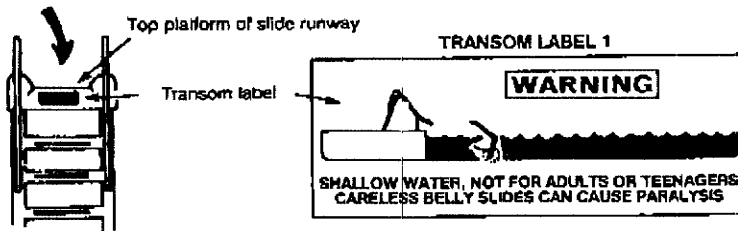
\* According to installation date any slide that does not meet the minimum depth of water as stated above (B or C) should be moved to the New Consumer Product Safety Commission Regulation depths as of 7/17/76.

\*\* Slide must be moved to new location if height above water not according to chart (D on Chart 4 for Slide Installations after 7/17/76).

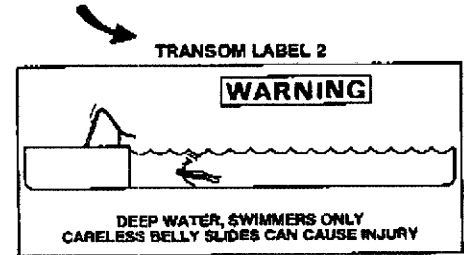


**PLACEMENT INSTRUCTIONS FOR THE TWO TRANSOM LABELS**  
If the height of your slide runway is 7'3" (2.2 m) or less and the depth of water at the tip end of slide is less than 4' (1.2 m), put the **SHALLOW WATER WARNING** label on the **TRANSOM OF RUNWAY**.

Transom label shall be placed on transom facing the user (see illustration).

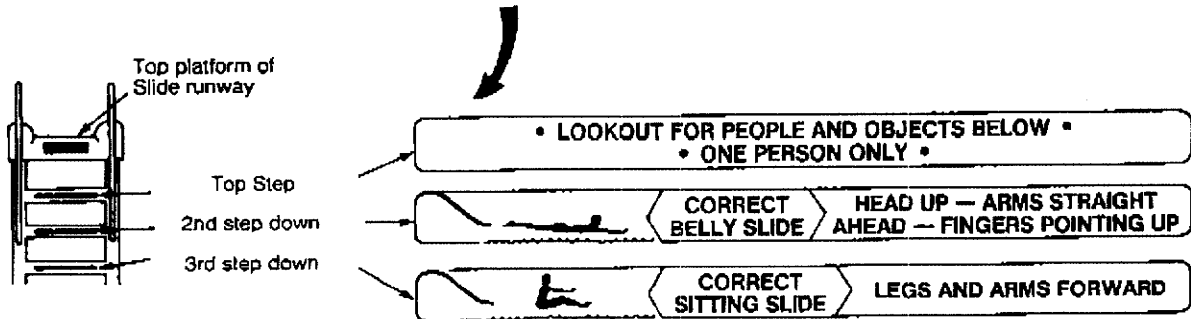


Place the second transom label on transom (if Shallow Water Label not used).



## CONSUMER PRODUCT SAFETY COMMISSION SWIMMING POOL SLIDE INTENDED USE LABEL INSTRUCTIONS

THE INTENDED USE LABELS SHALL BE PLACED ON THE STEPS OF THE SLIDE LADDER IN THE FOLLOWING ORDER (See illustration).



**NOTE:**  
See above for instructions on the use of the transom label by checking the height of slide and depth of water according to chart.

## SATELLITE SERIES SLIDE INSTALLATION INSTRUCTIONS

The Satellite Series slides and hardware have been manufactured from the finest materials, and are in compliance with the Consumer Product Safety Commission Federal Safety Standards. For best slide location and installation please follow instructions carefully.

The Satellite Series slide has been designed for easy installation and transportation. It is factory inspected before shipment. Close inspection at the time of installation is recommended to assure a proper and safe installation. Improper installation voids the WARRANTY. Be sure to read the installation instructions before assembling slide.

### SLIDE LOCATION INSTRUCTIONS

- Unrestricted Use** — A City Fibreglass Curved Slide can be installed in 4' (1.2 m) of water at the exit end of slide and the depth is maintained for a minimum distance 13'6" (4.1 m). See Diagram A.
- Slides should be positioned at the edge of the pool so that any and all water flowing off the end of the slide runway drops into the pool.
- Slides should be positioned so that the slider cannot hit the pool edge, copings, diving boards, safety line, or other equipment with arms extended in any sliding position.
- For all installations, minimum heights above deck and coping at exit end of slide must be a minimum of 8" (20.3 cm). The distance from the top surface at the exit end of slide runway to level of water shall be a maximum of 20" (50.8 cm). See Diagram A.
- The minimum distance from the centreline of the slide runway to the edge of the pool, edge of diving board, coping or safety line running parallel, should be 3' 6" (0.99 m) at a point at least 2'6" (0.76 m) from the end of the slide. See Diagram B.
- The intersecting distance between the centerline of a slide and safety line, runway exit lip should not be less than 10' (3.05 m). Slides should be positioned so that the centerline of the slide does not intersect the centerline of any diving board for a minimum distance of 7' (2.13 m). See Diagram B.

DIAGRAM A

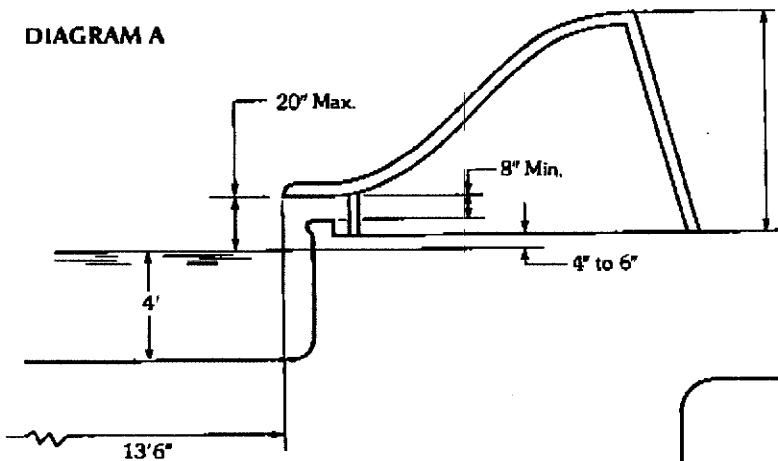


DIAGRAM B  
(All dimensions are minimum)

