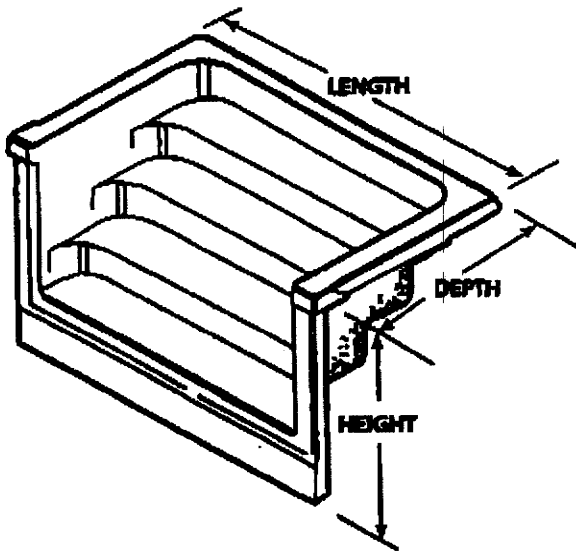


IN WALL STEP DIMENSIONS

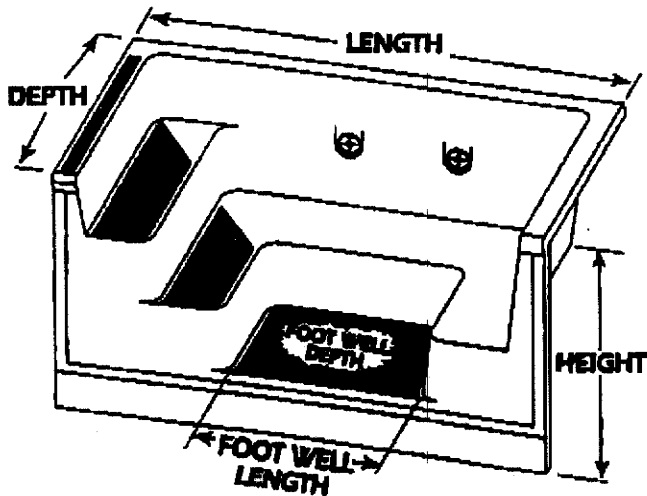
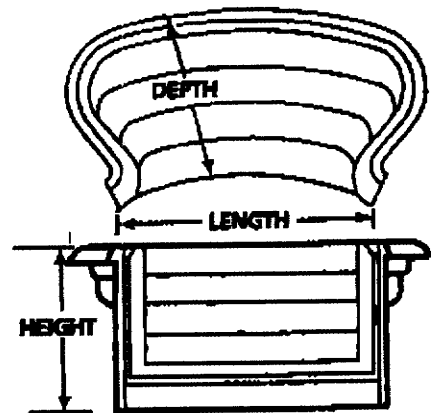


STRAIGHT IN WALL STEP SPECIFICATIONS

	IWS-4 4' Straight Step	IWS-6 6' Straight Step	IWS-8 8' Straight Step
LENGTH	48" (122cm)	72" (183cm)	96" (244cm)
DEPTH	36" (36cm)	46" (117cm)	46" (117cm)
HEIGHT	44" (112cm)	43" (109cm)	43" (109cm)
WEIGHT	90lbs (41kg)	140lbs (63kg)	180lbs (82kg)
RISER (TYPICAL)	12" (30cm)	8" (20cm)	8" (20cm)
TREAD (TYPICAL)	11" (28cm)	11" (28cm)	11" (28cm)

CURVED IN WALL STEP SPECIFICATIONS

	IWS-4 4' Curved Step	IWS-6 6' Curved Step	IWS-8 8' Curved Step	IWS-11 11' Curved Step
LENGTH	48" (122cm)	72" (183cm)	92" (233cm)	127" (322cm)
DEPTH	44" (112cm)	47" (119cm)	46" (117cm)	62" (157cm)
HEIGHT	44.5" (113cm)	46" (117cm)	45.5" (115cm)	44" (112cm)
WEIGHT	100lbs (45kg)	150lbs (68kg)	200lbs (90kg)	300lbs (136kg)
RISER (TYPICAL)	10" (25cm)	8" (20cm)	8" (20cm)	8" (20cm)
TREAD (TYPICAL)	13" (33cm)	11" (28cm)	11" (28cm)	11" (28cm)



IN WALL STEP LOUNGE SPECIFICATIONS

LENGTH	84" (213cm)
DEPTH	48" (122cm)
HEIGHT	47" (119cm)
WEIGHT	150lbs (68kg)
RISER (TYPICAL)	12" (30cm)
TREAD (TYPICAL)	11" (28cm)
LENGTH	32" (81cm)
DEPTH	24" (61cm)